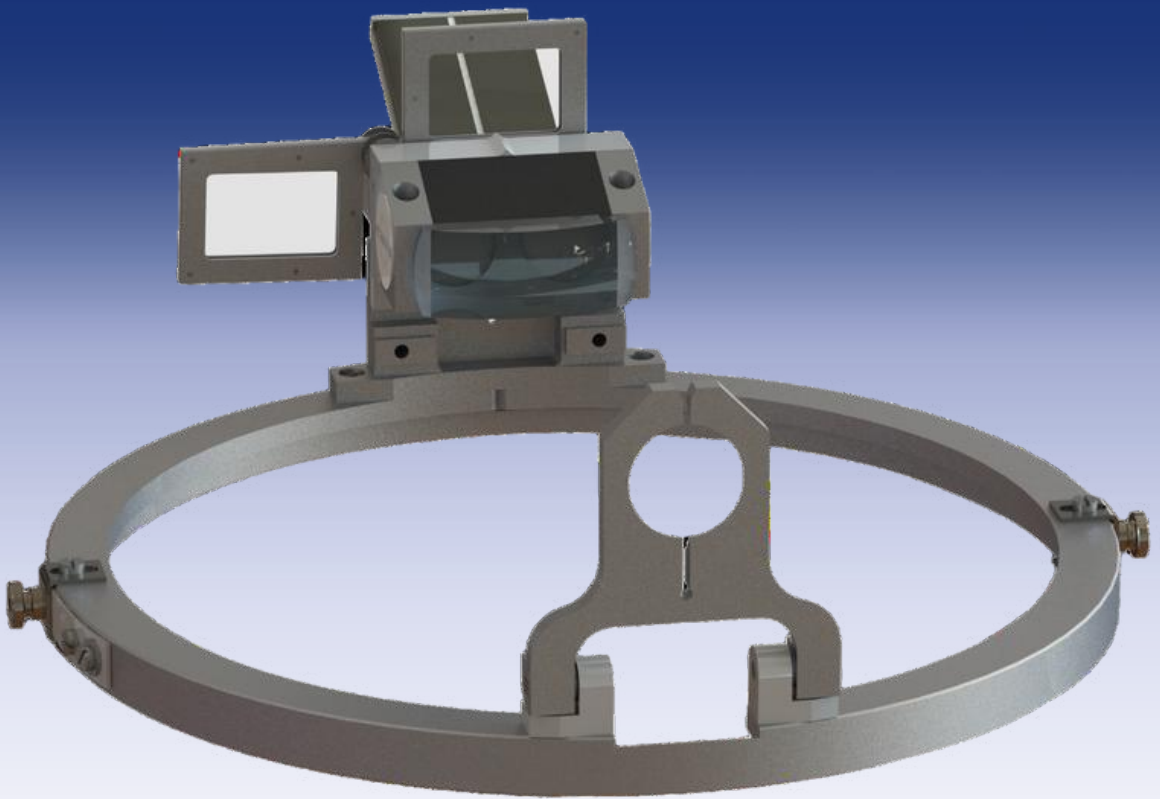


BEARING ALIDADE





Accurate and easy to use high resistance alidade

APPLICATIONS & BENEFITS

The Alidade is designed to be fixed on the vessel navigation compass. It is used to measure the azimuth of the observed target regarding the vessel's one.

KEY FEATURES

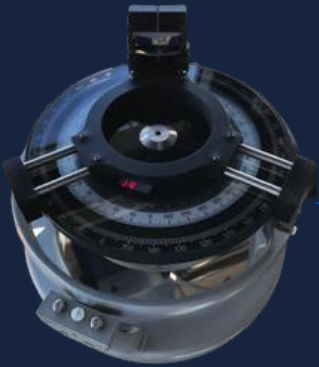
- User centric :

Flexibility: Several versions available depending on the vessel compass type and characteristics.

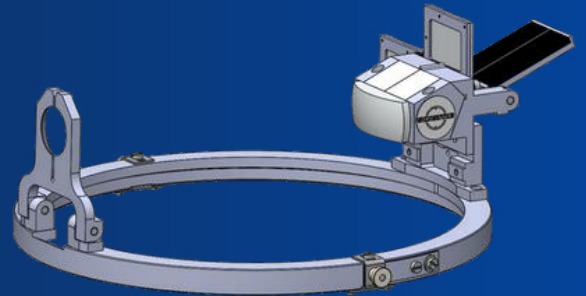
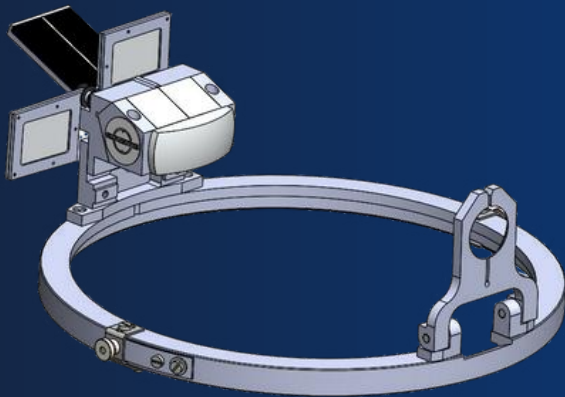
- Qualitative:

Accurate optical design ensuring a perfect alignment and easy reading of the target azimuth.

Specifically designed and qualified for harsh environments: Salt fog, sand and dust, random vibrations, chocks, high and low temperature, humidity, etc...



Example of Alidade integration on a vessel compass



TECHNICAL CHARACTERISTICS

Optical Performance :

Accuracy	0,5°
Optical filters	15/11 mm
Alignement accuracy	+/- 250 µrad
Reticule centring	+/- 5 mrad
Field of view	70m at 1000m
Dioptre adjustment	-2/+2

Mechanical Data :

- Weight: 2.5kg
- Dimensions: 190mm (L) x 760mm (H) x 180mm (W)

Environmental Characteristics :

- Operating temperature: -20°C / +55°C
- Storage temperature: -30°C / +70°C

Included :

- Transport suitcase
- Instruction Manual
- Cleaning kit